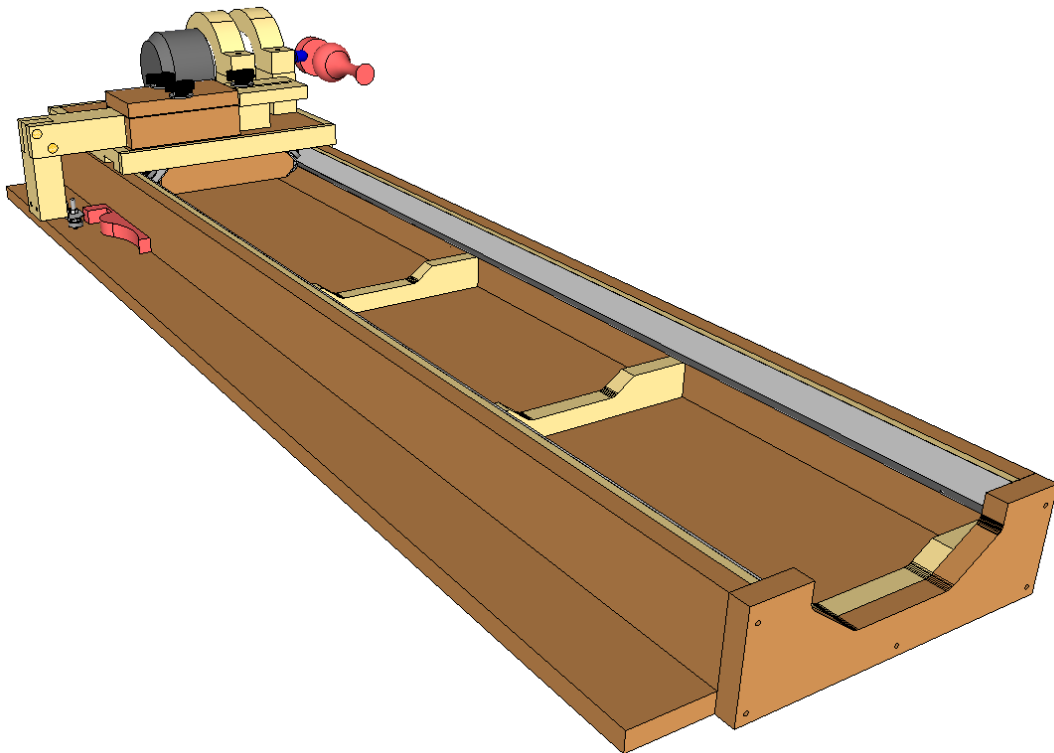


# ThisWoodwork

## Router Lathe Duplicator Attachment Plans

---

Copyright © 2013 Alex Harris

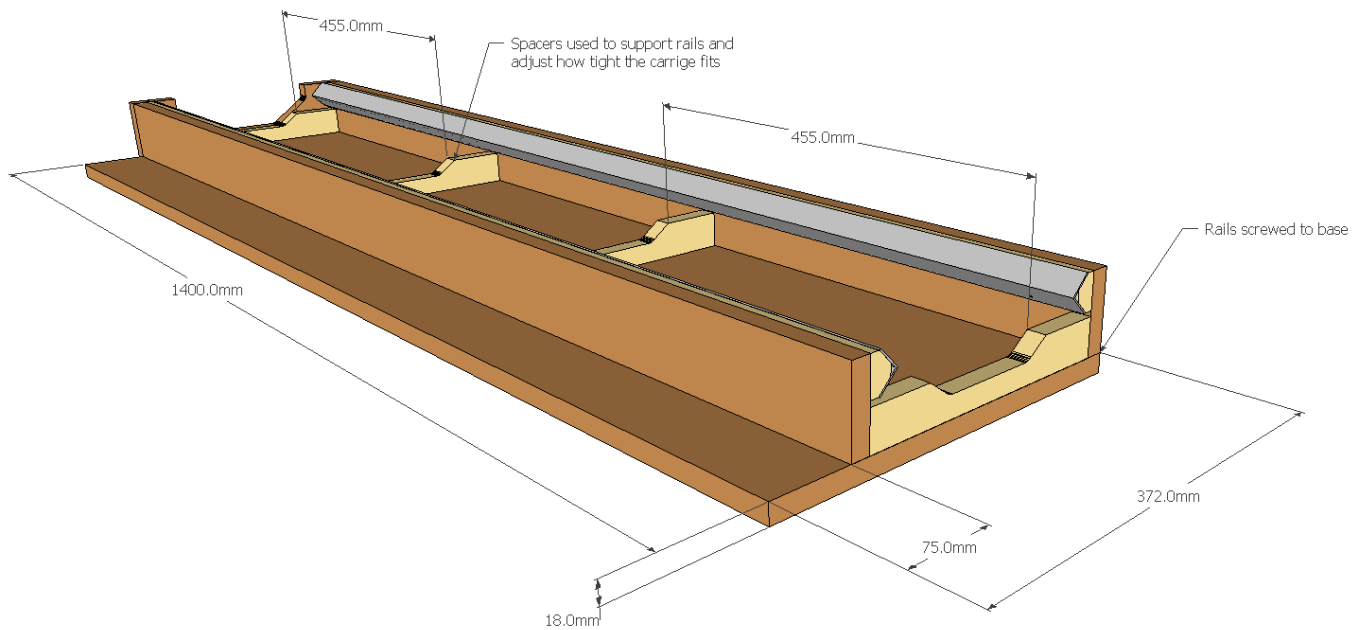


For detailed building instructions, build videos and to view the original 3D model of this duplicator, see here: <http://thiswoodwork.com/router-lathe-duplicator/>

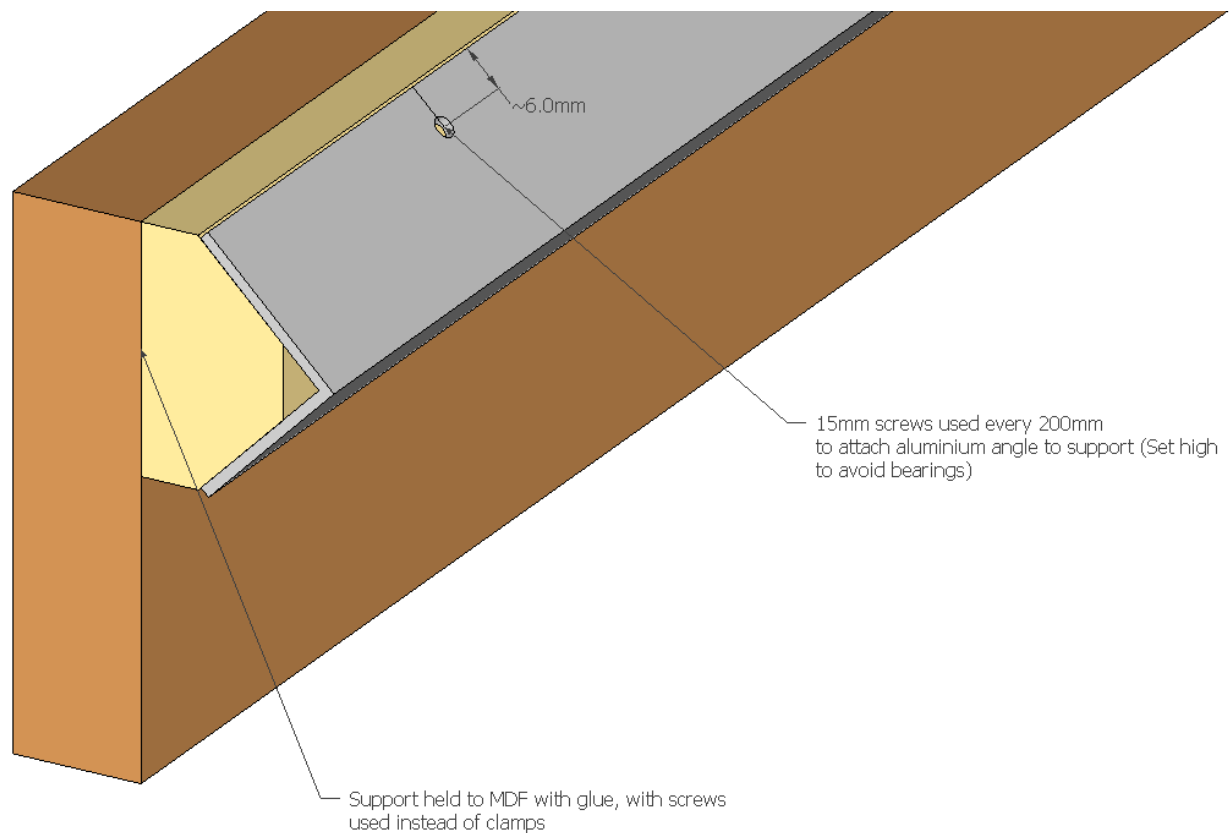
Feel free to share these plans with your friends!

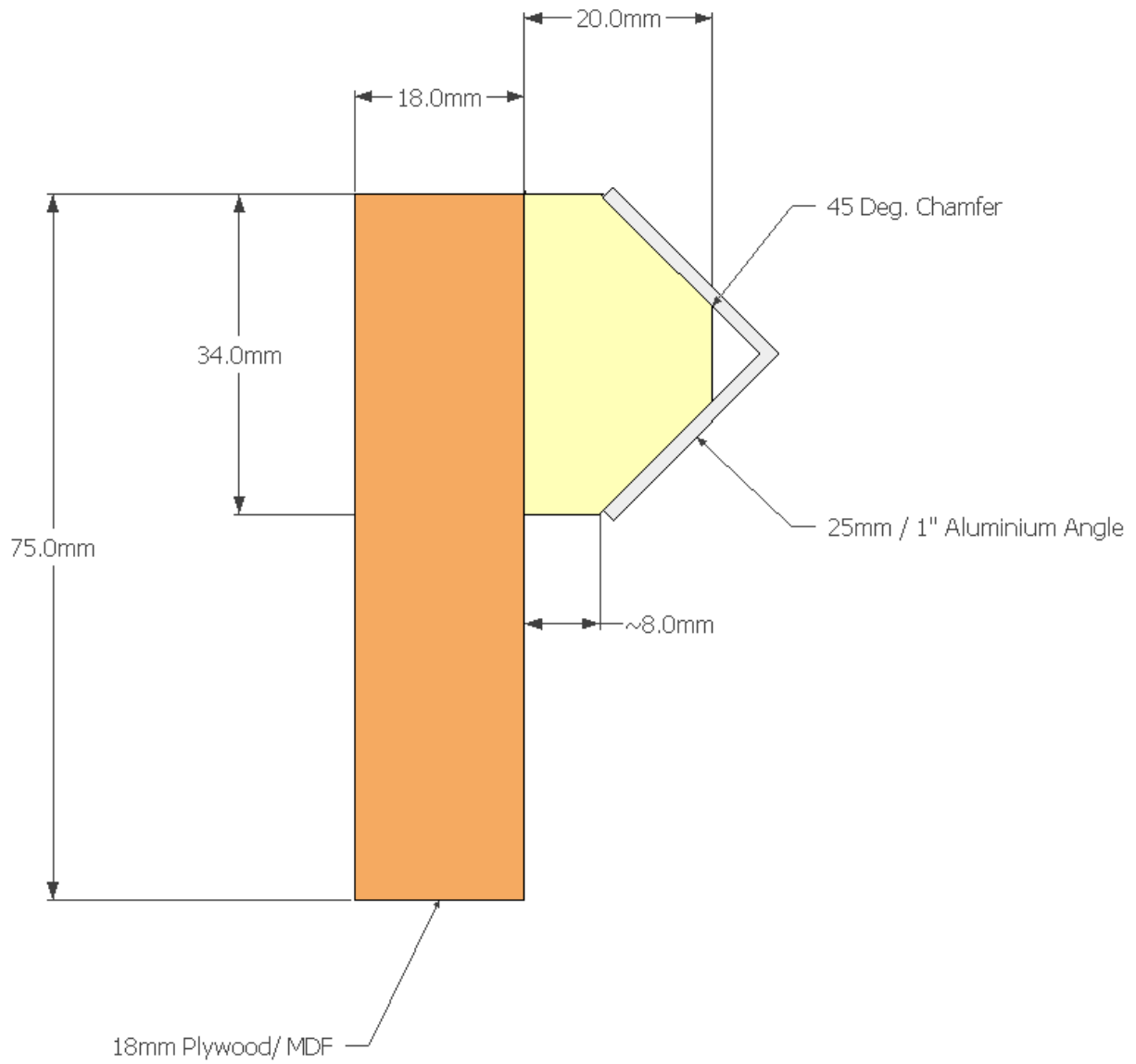
ThisWoodwork.com

## Rails

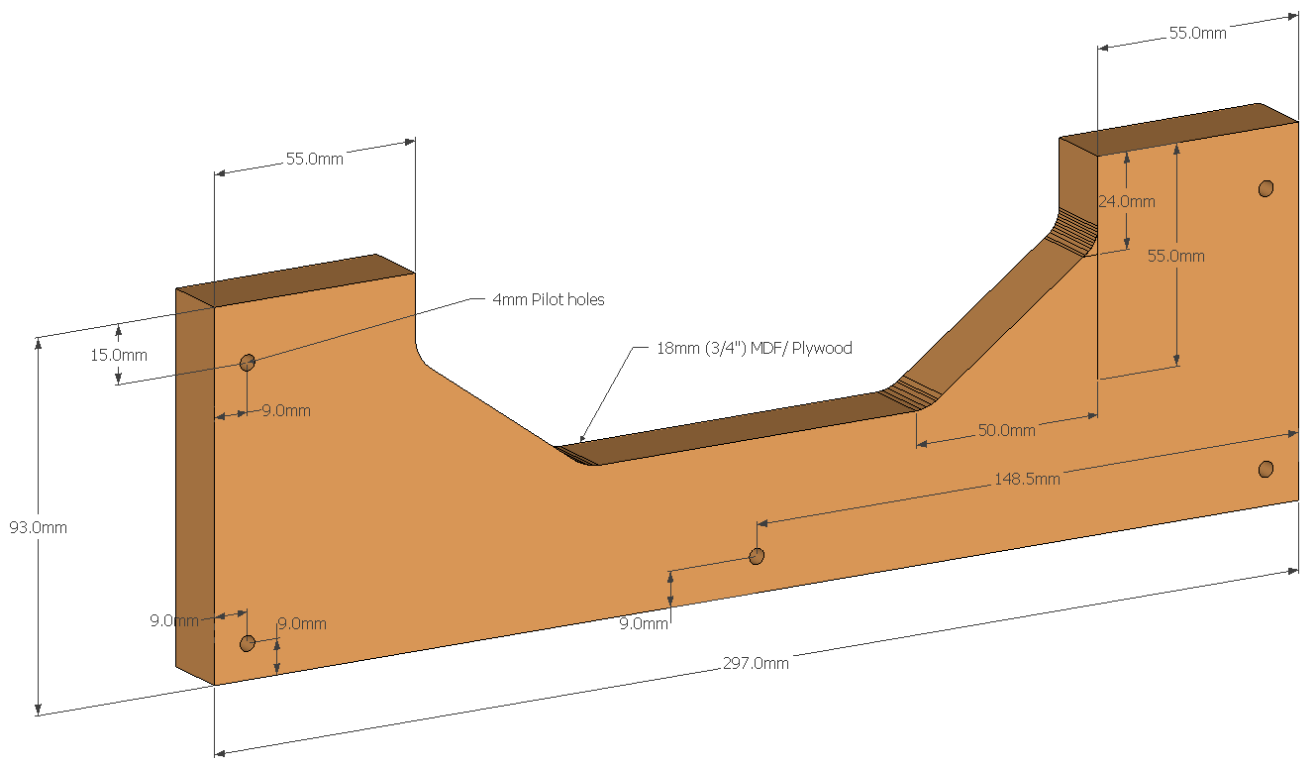


- Screws join rails to base roughly every 200mm.
- The rails are quoted as 1.4m long; the length can be adjusted in accordance to lathe size. Rails should be longer than the maximum turning capacity, I recommend by at least 300mm.

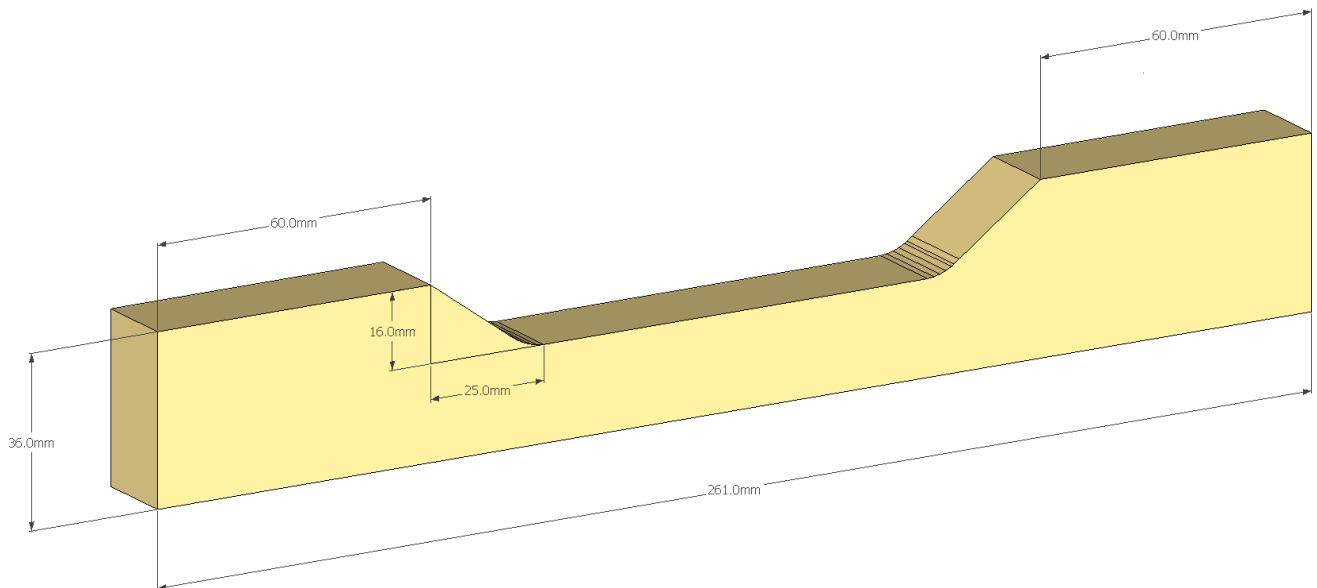




## Rails: End Cap (x2)

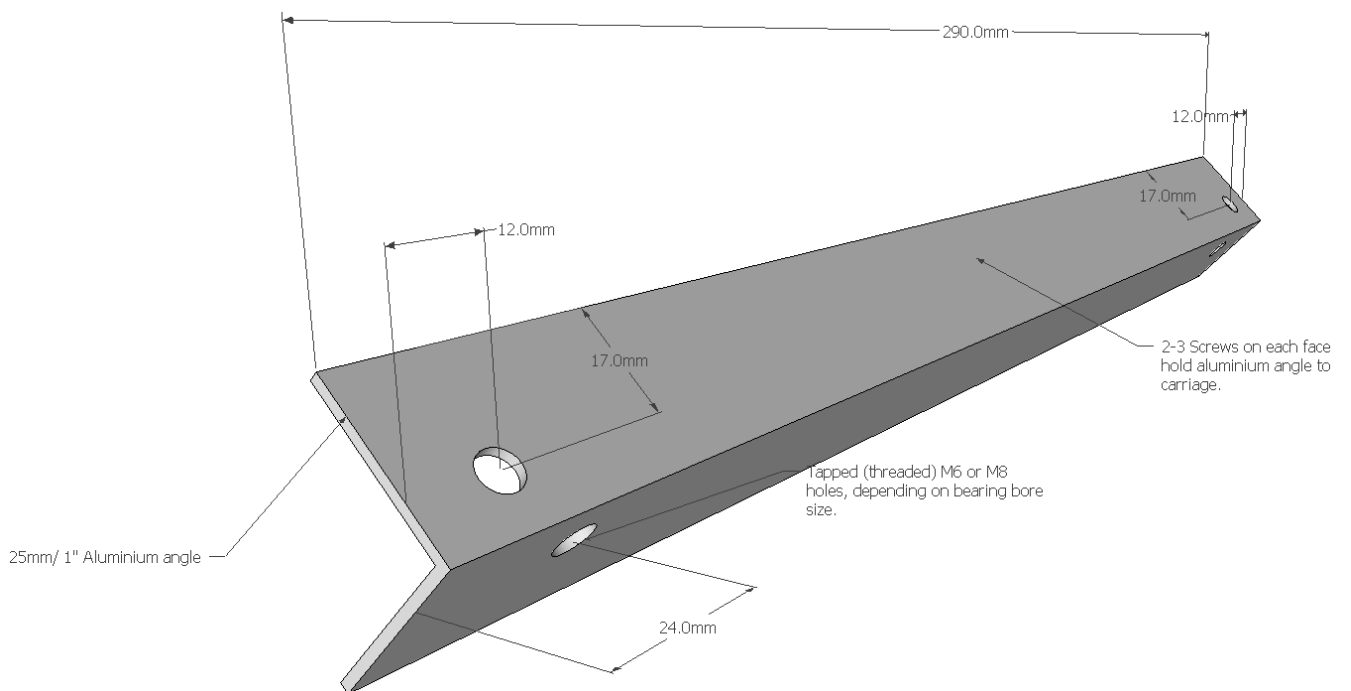
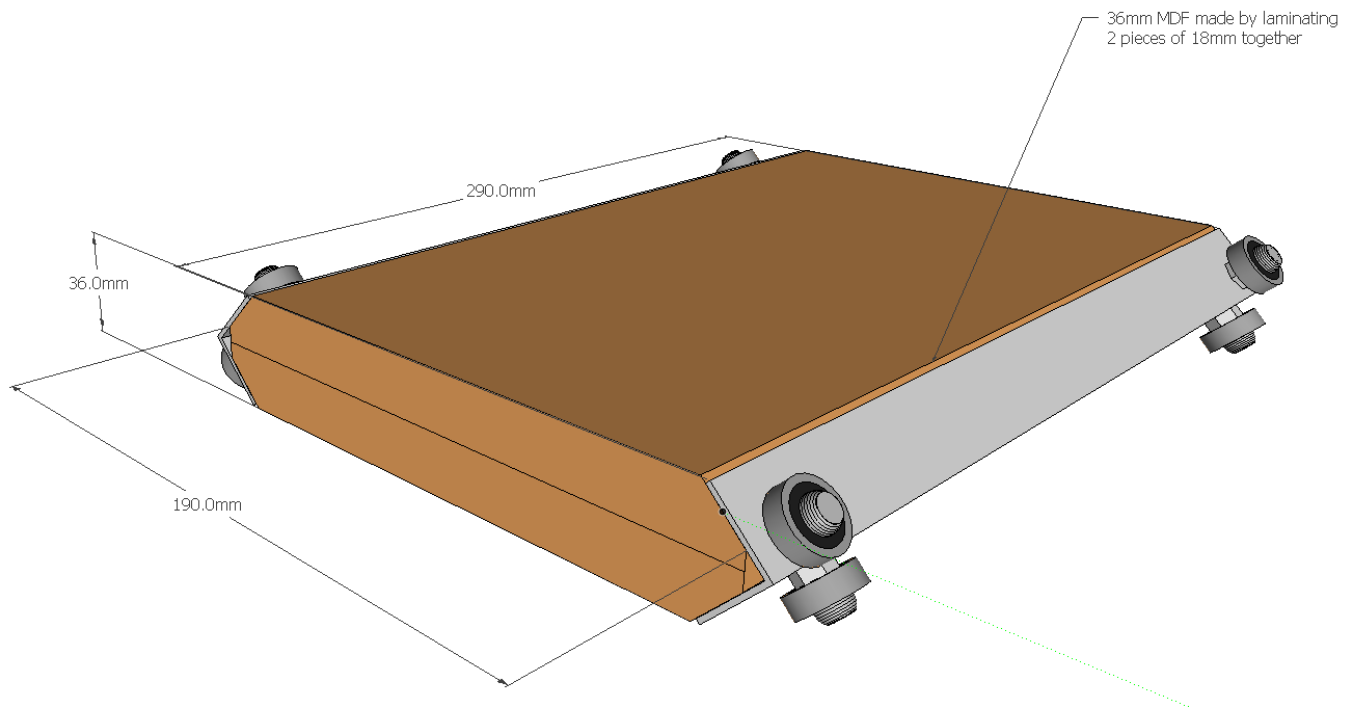


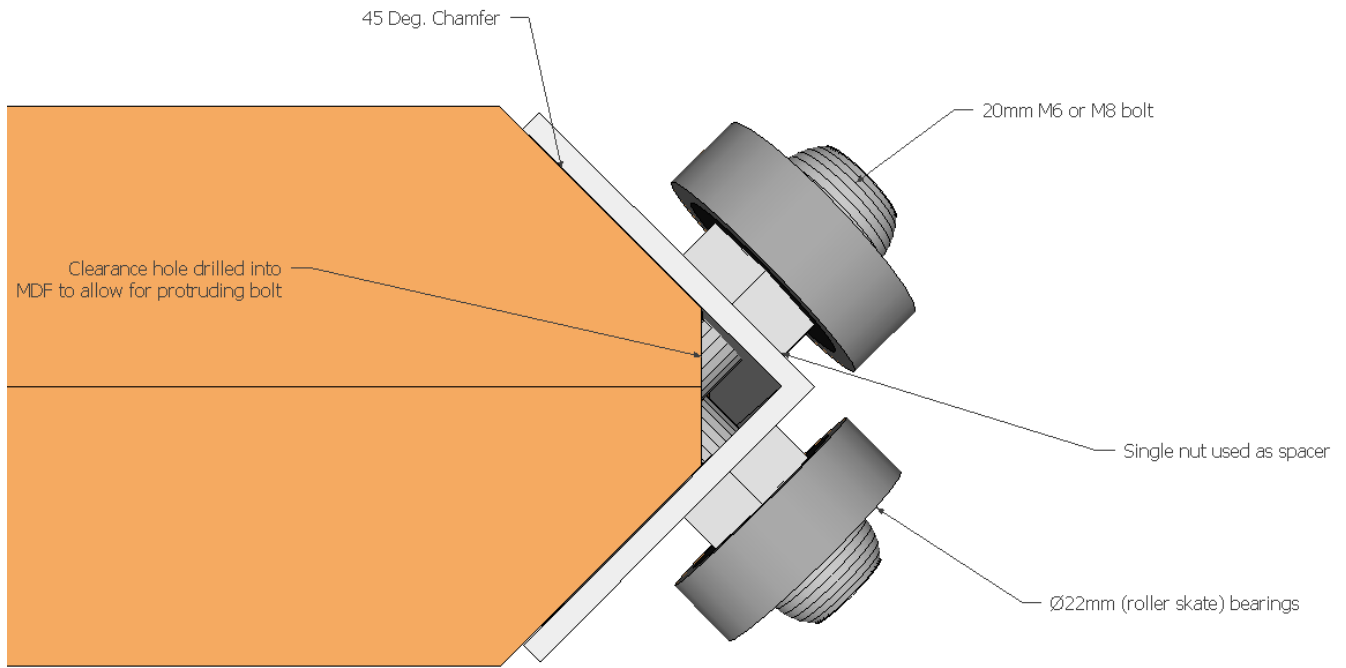
## Rails: Spacers



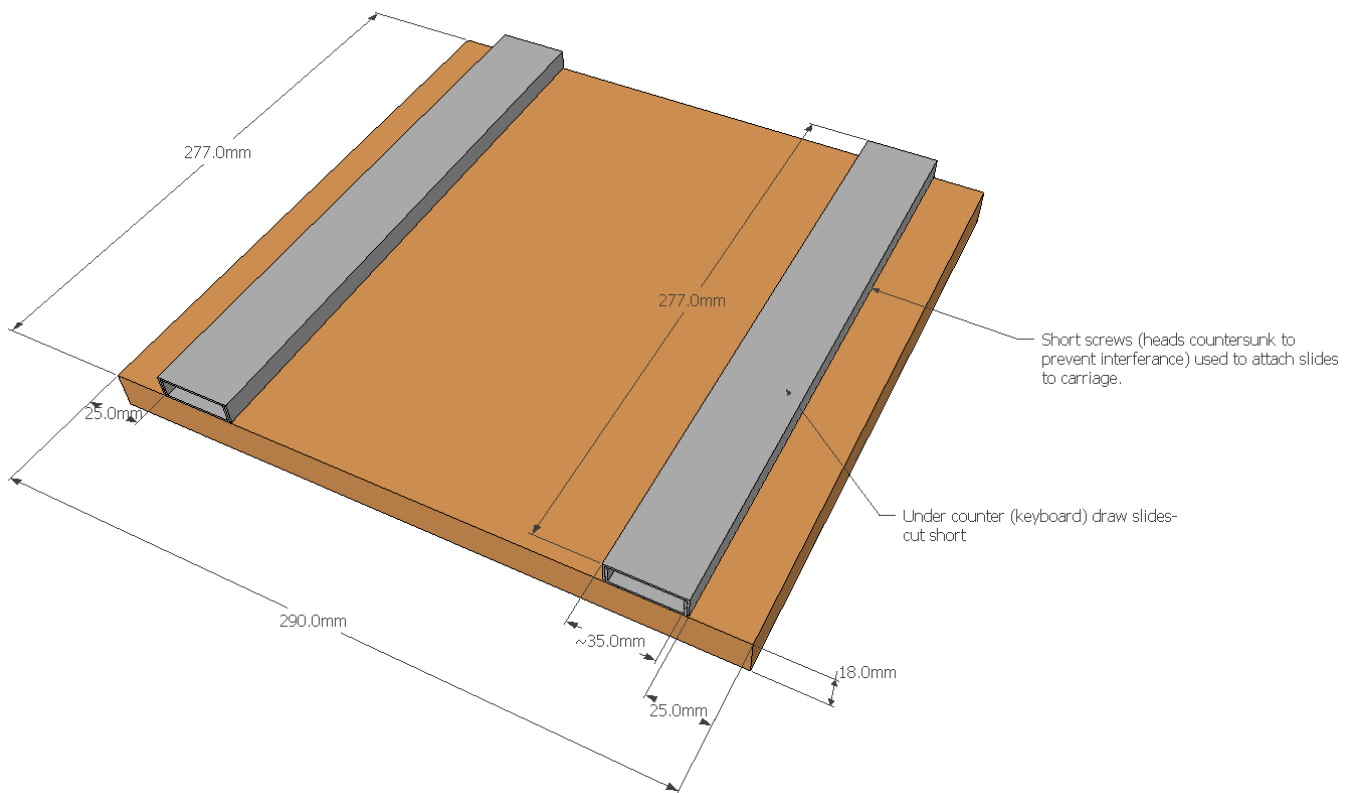
- x4 used across a 1.4m distance, more would be required if the length was increased.
- Small adjustments can be made to the length, in order to to tweak the fit between the rails and the carriage (i.e. no noticeable play).

## Carriage: "X-axis"

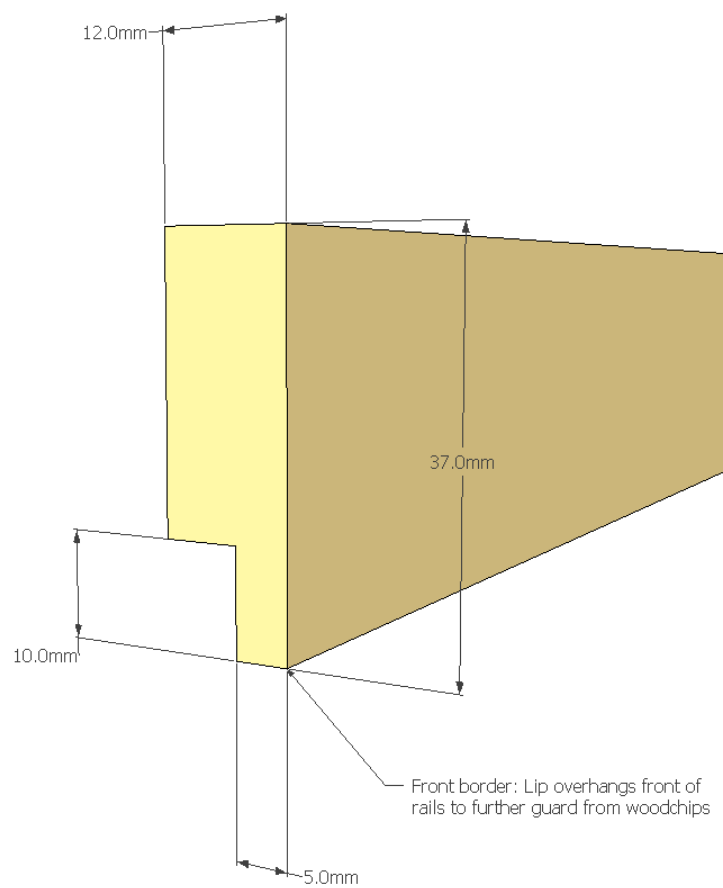
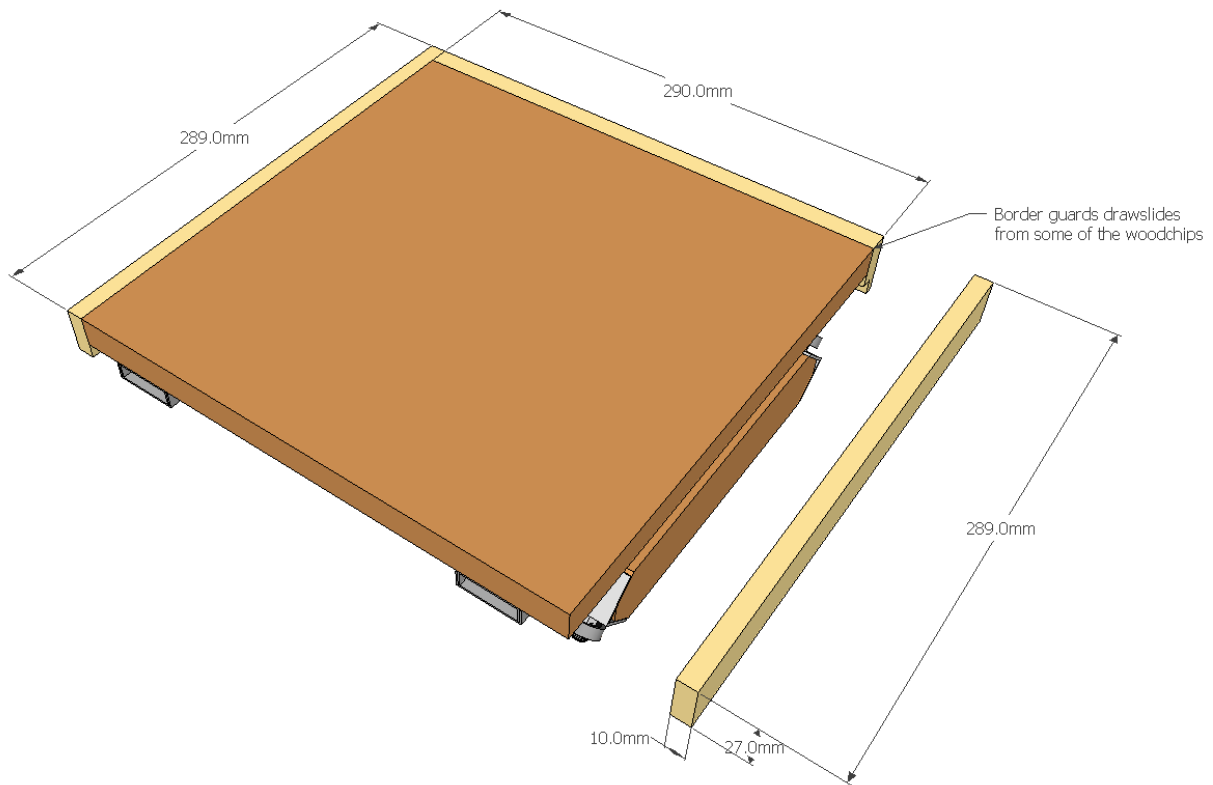




## Carriage: “Y-axis”

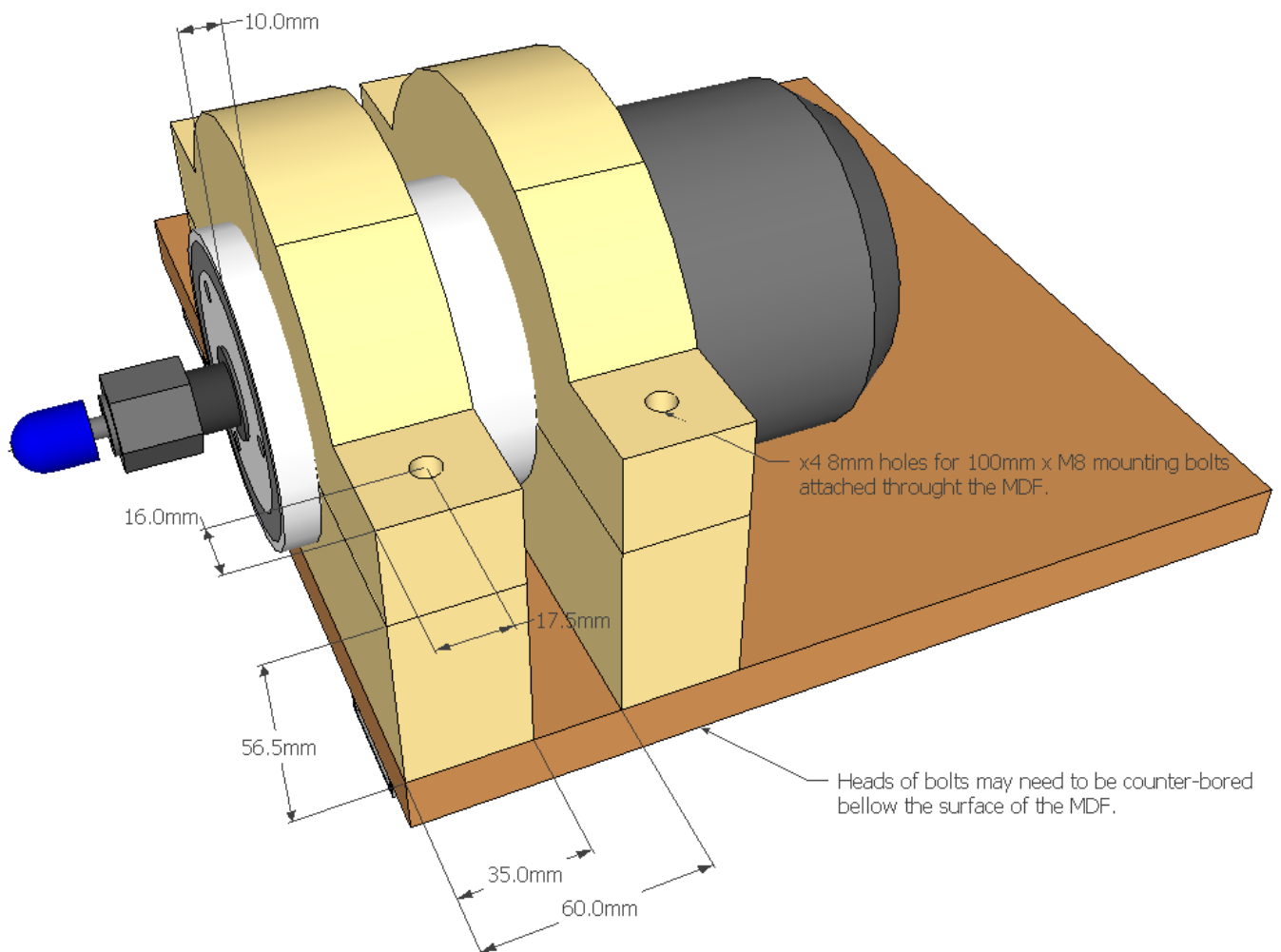


## Carriage: Border/ Dust Guard



## Router Mount

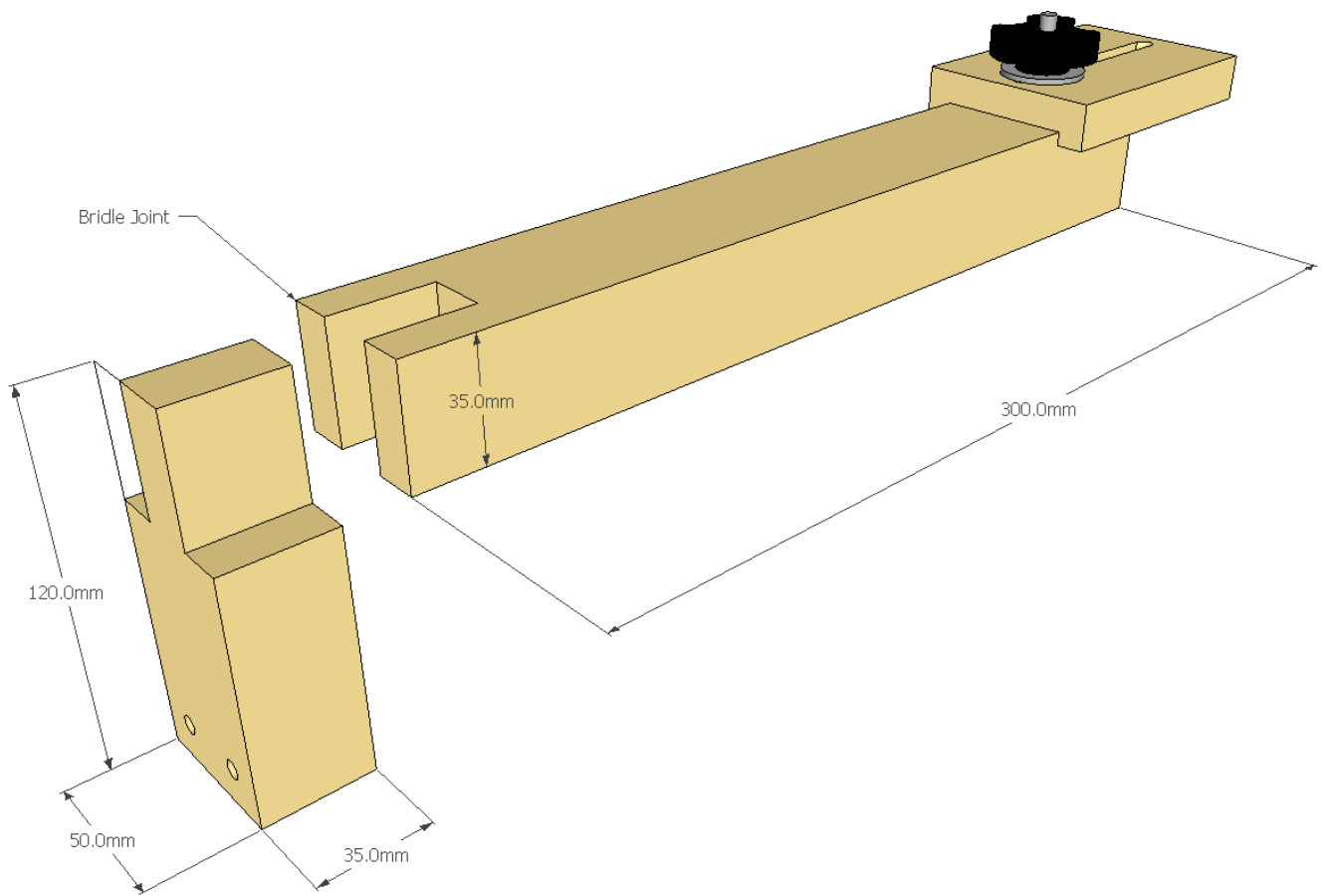
Router model courtesy of M.Wandel  
woodgears.ca

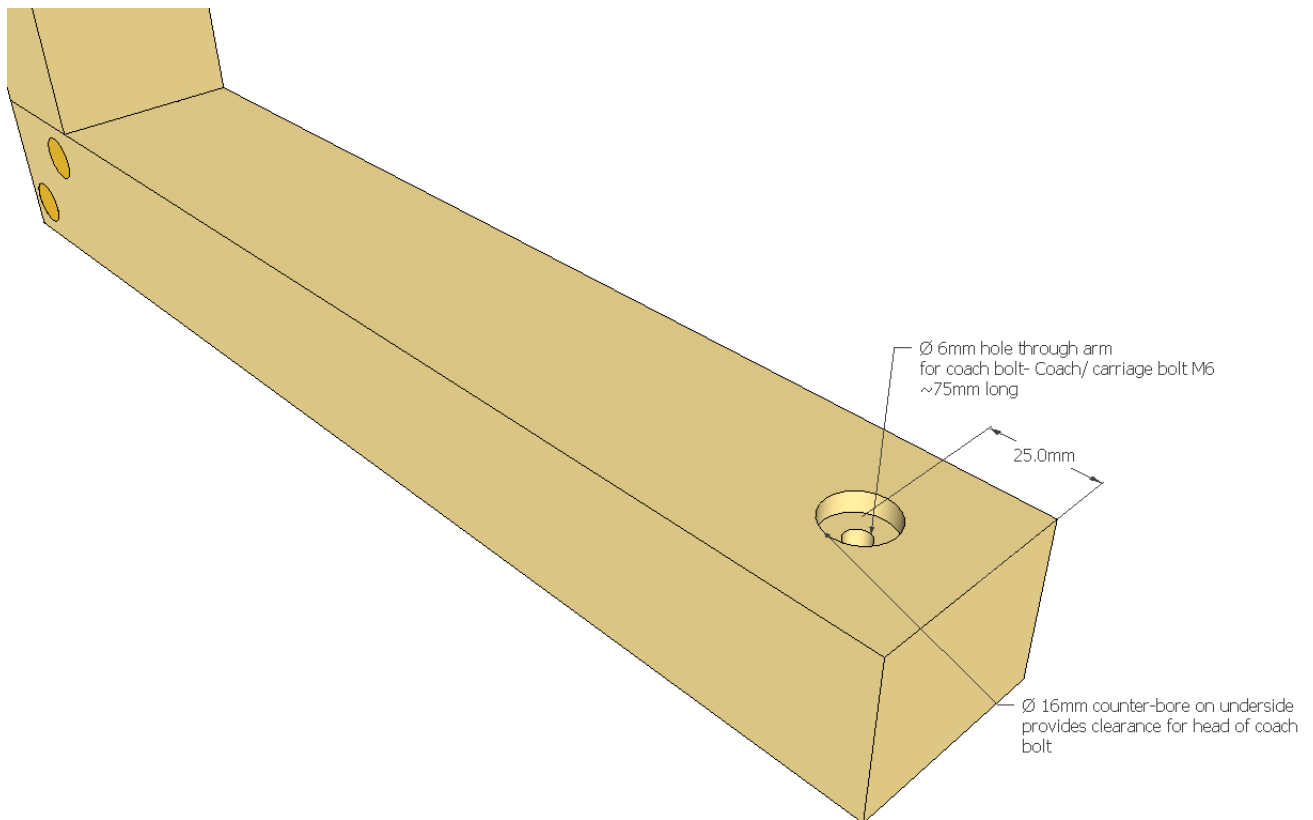
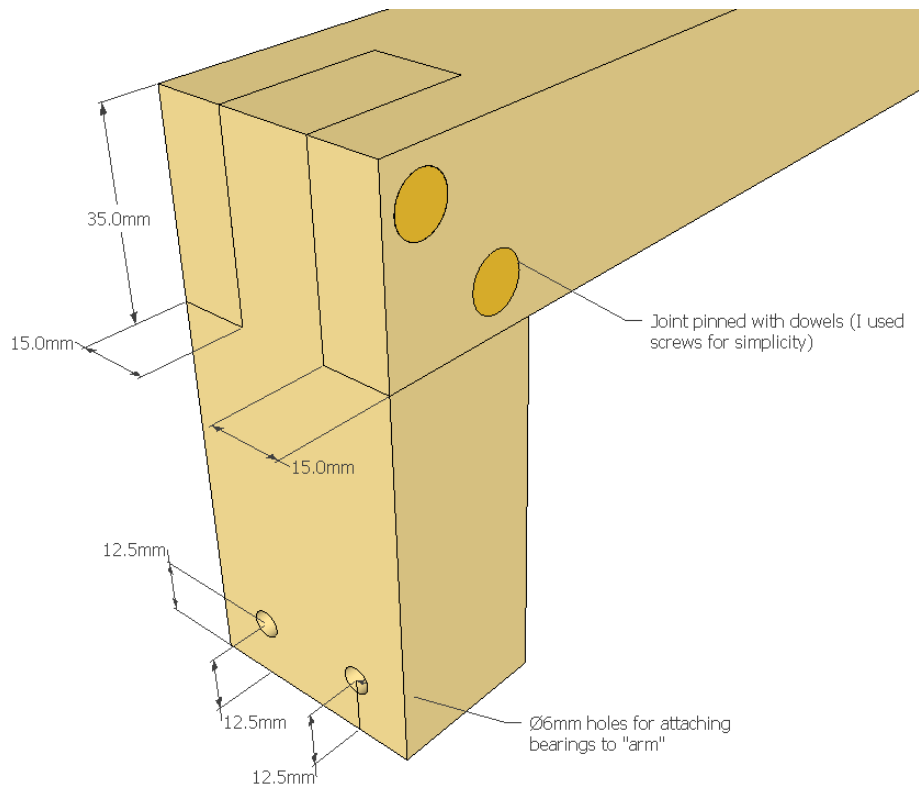


A print-out template, to help cut the mounts, is available here: <http://thiswoodwork.com/router-lathe-duplicator/>

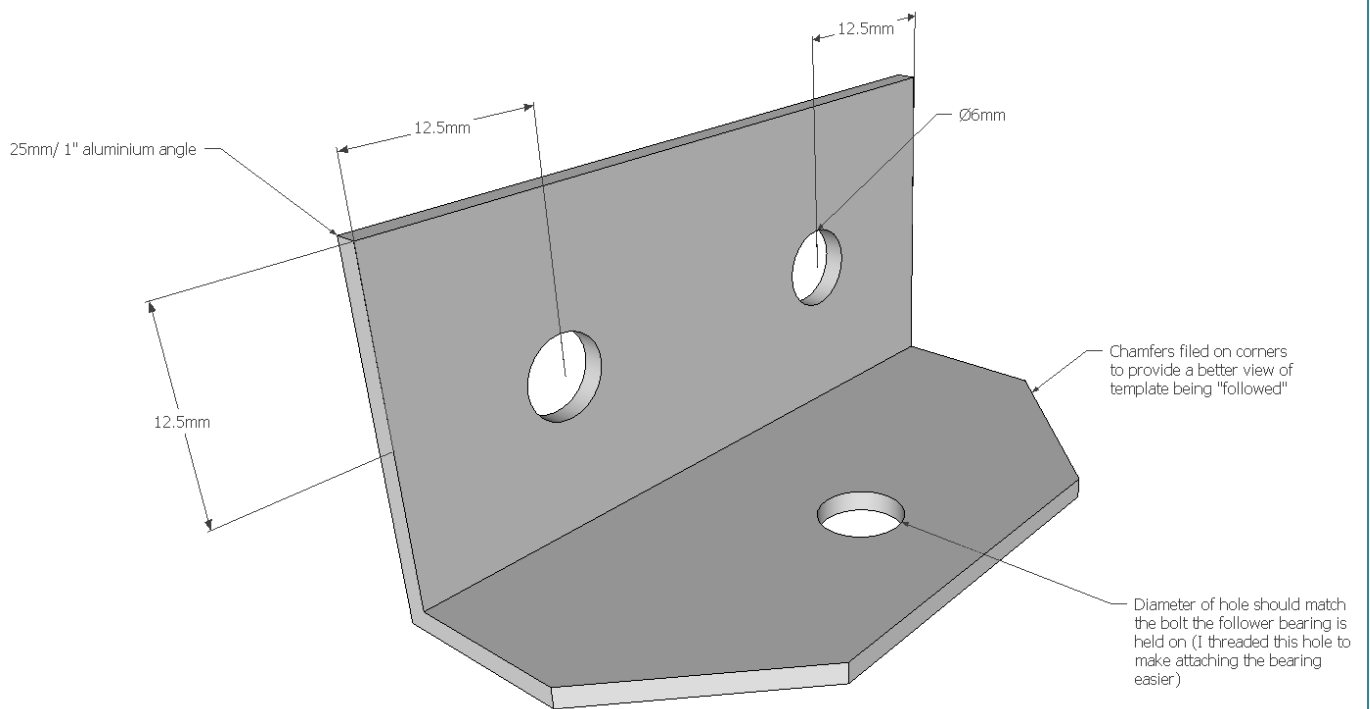
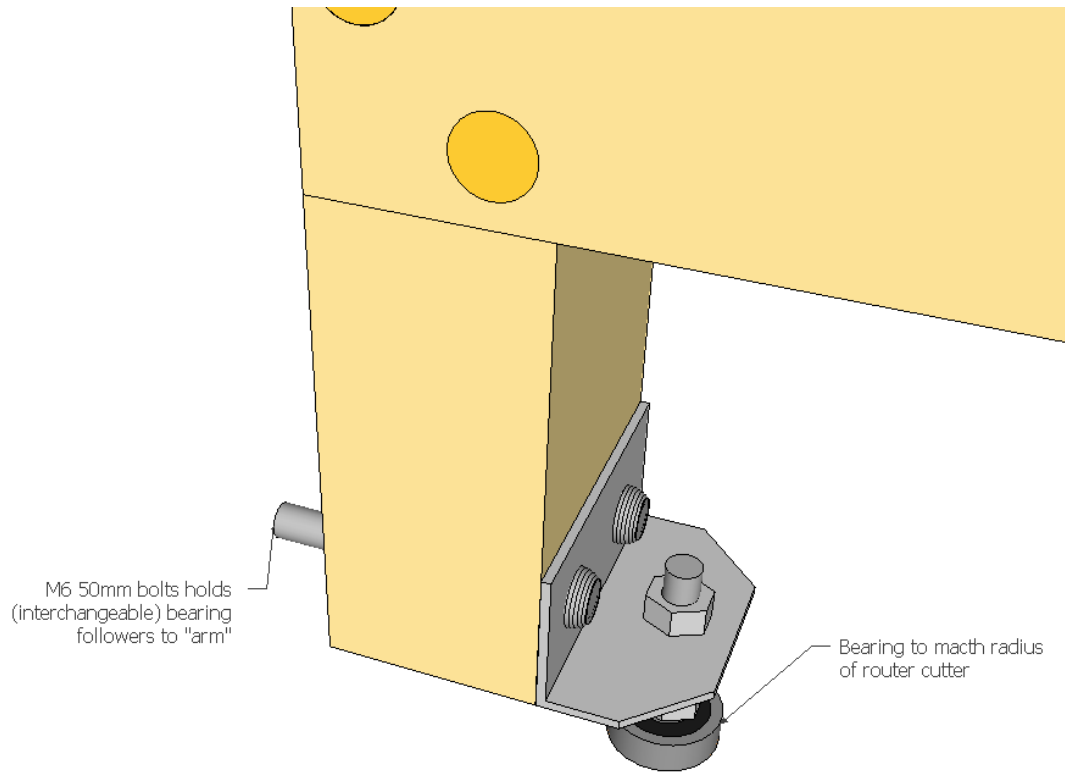


## Follower: "Arm"

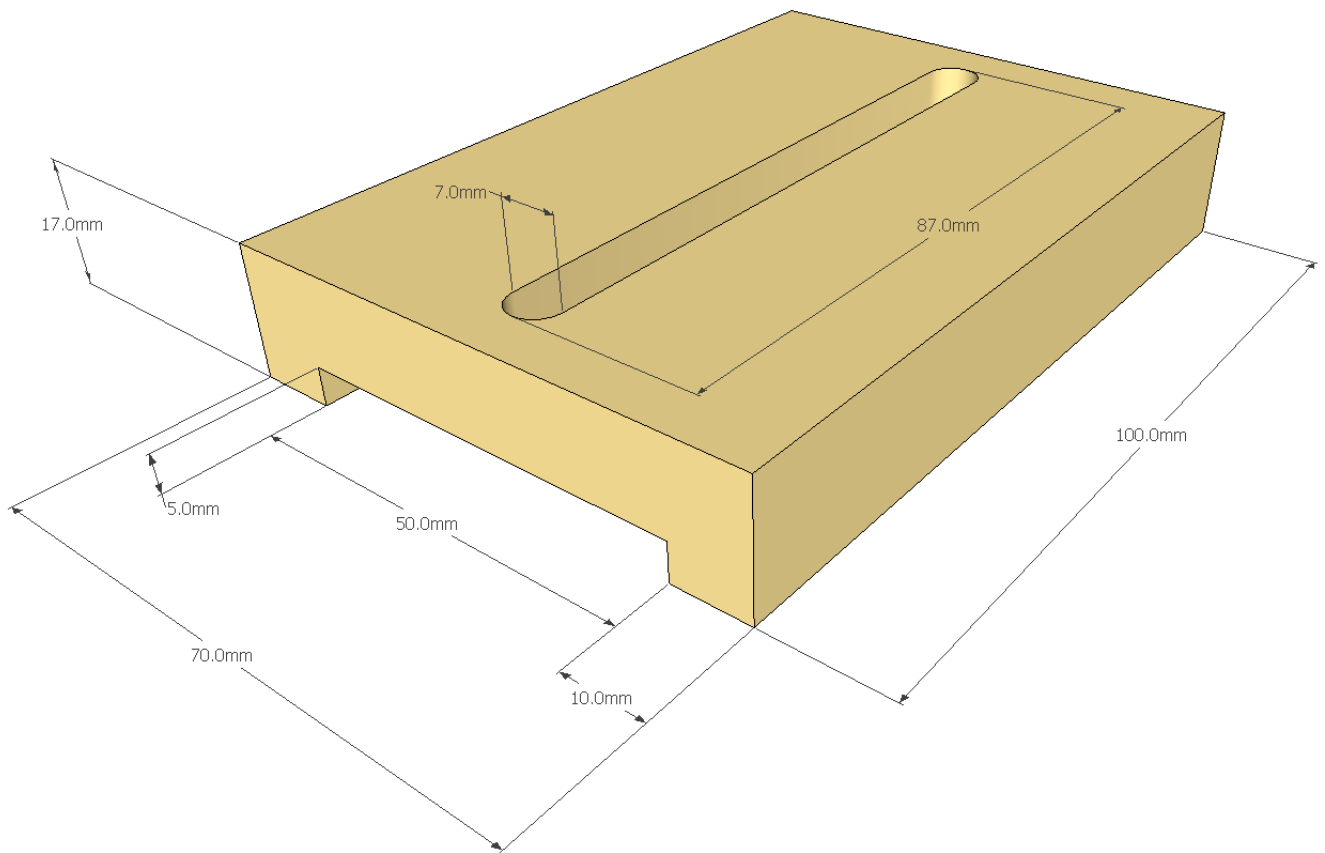




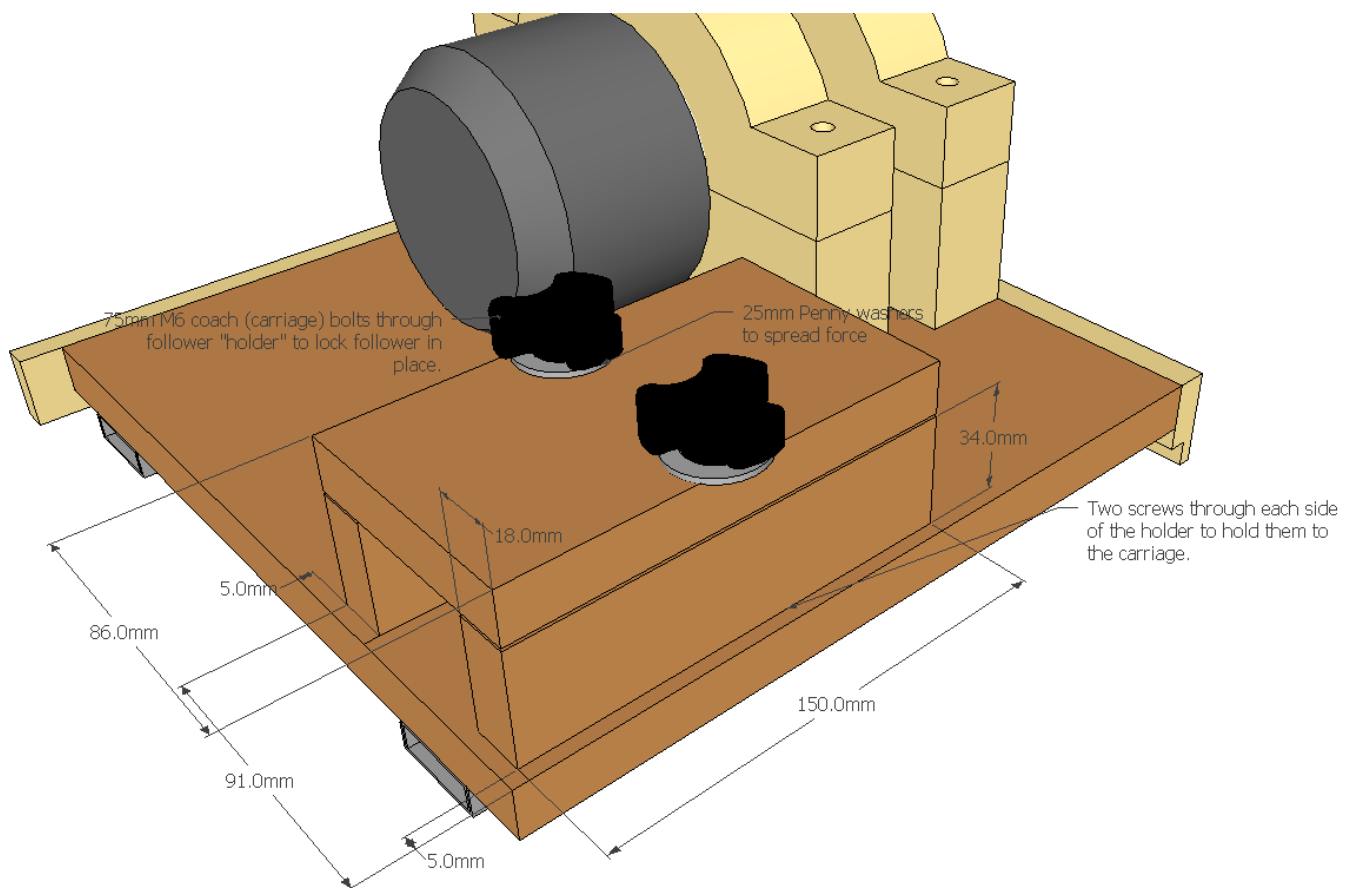
## Follower: Bearings



## Follower: Zero Stop



## Follower "Holder"/ Guide



## Lathe Mounting

As every lathe is different (centre height etc.) I did not model the duplicator mounts. For information on how I mounted the duplicator to my lathe (may need to be modified for your own lathe) see here:

## Other Notes

Whilst every effort was made to include all details necessary to build this duplicator, it is by no means exhaustive and some may have been missed out. If you believe that further details need to be added or mistakes altered, let me know, I will do my best to help: [alex\(at\)thiswoodwork\(dot\)com](mailto:alex(at)thiswoodwork(dot)com)

Or, you can find it yourself in the 3D Sketchup model: <http://thiswoodwork.com/router-lathe-duplicator/>

---

**Disclaimer – Yes, just in case!**

These are free plans. No warranties are given or implied and your results may differ. ThisWoodwork.com and Alex Harris **does not accept liability for any loss or personal injury** which may incur from the replication of this design.

For full terms and conditions visit this link: <http://thiswoodwork.com/disclaimer/>

Through the use of these plans, the user agrees that the use of this information is entirely at his/her own risk.