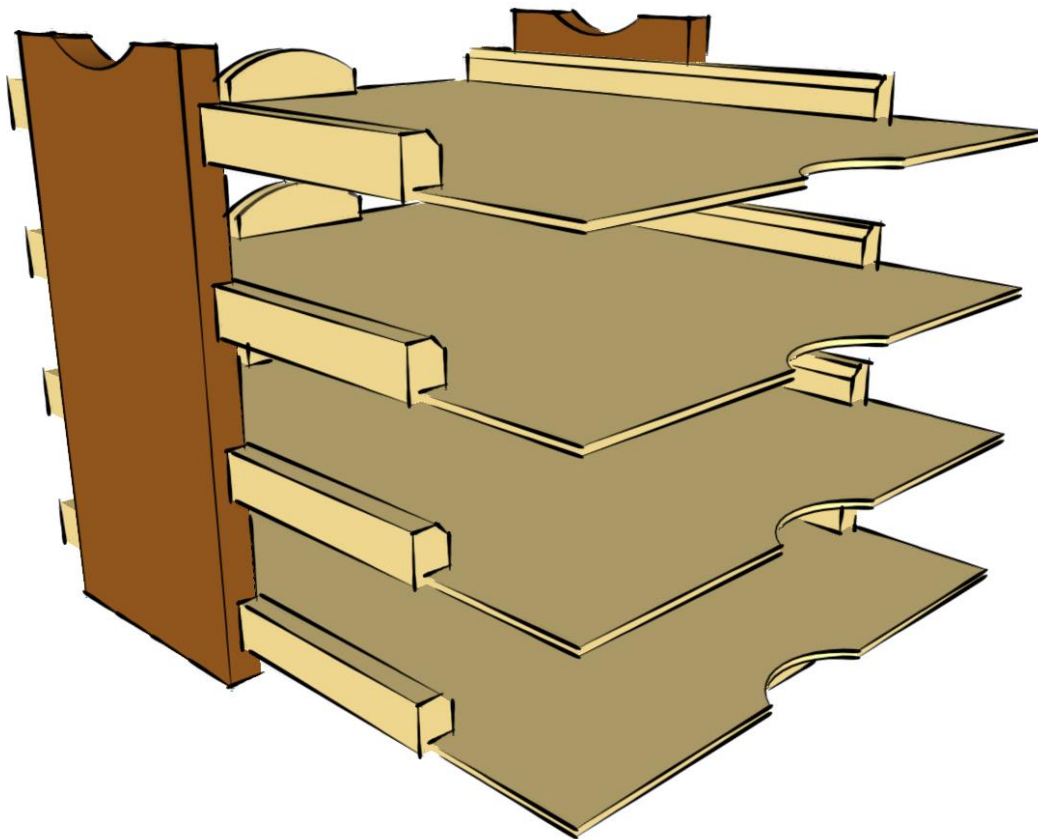


This Woodwork

Paper Tray Plans

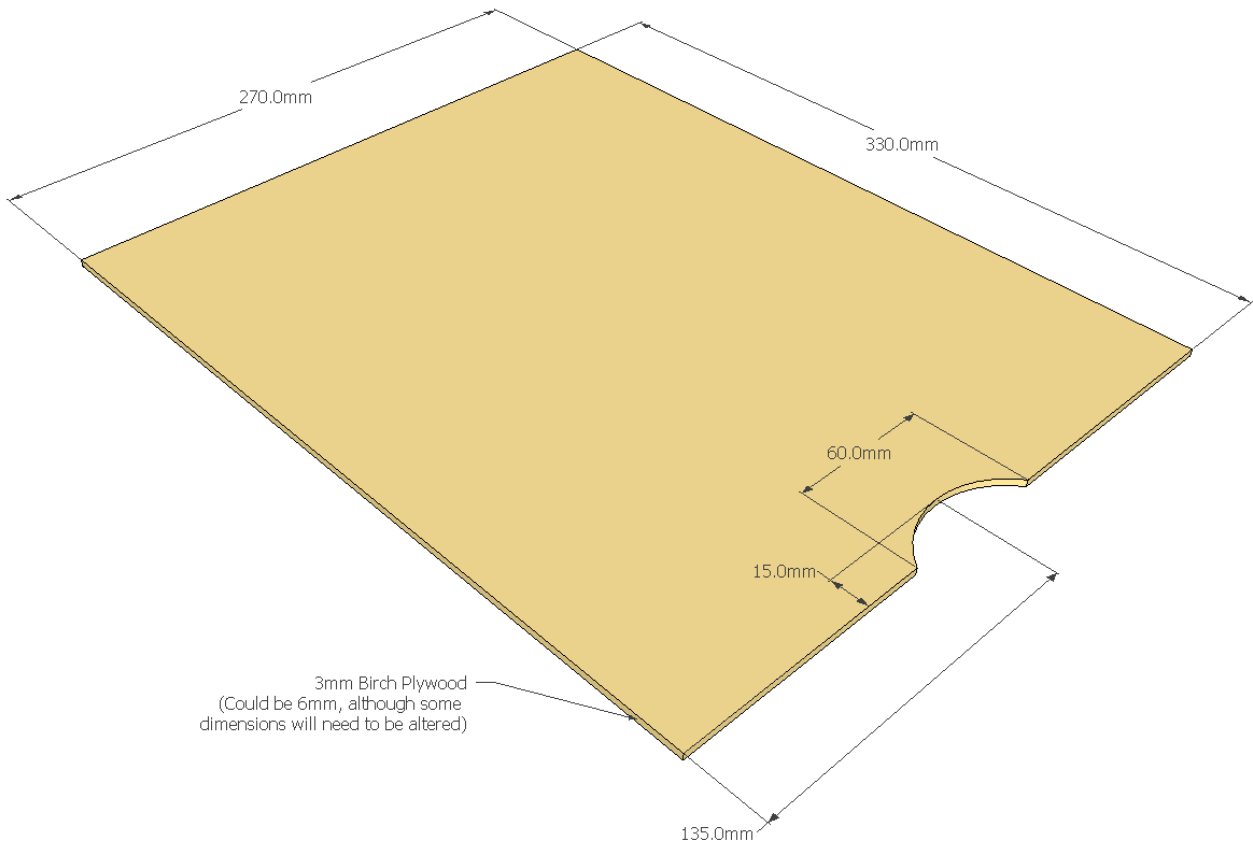
Copyright © Alex J. Harris 2014



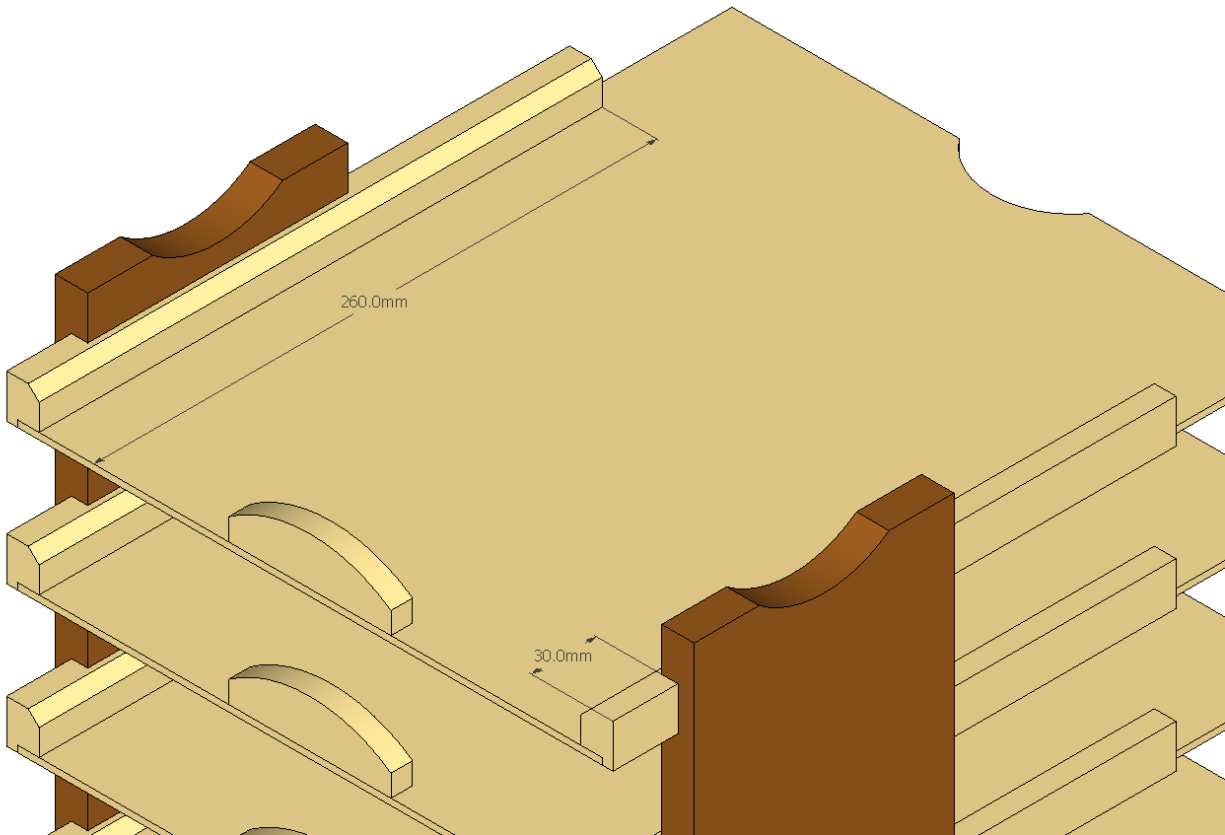
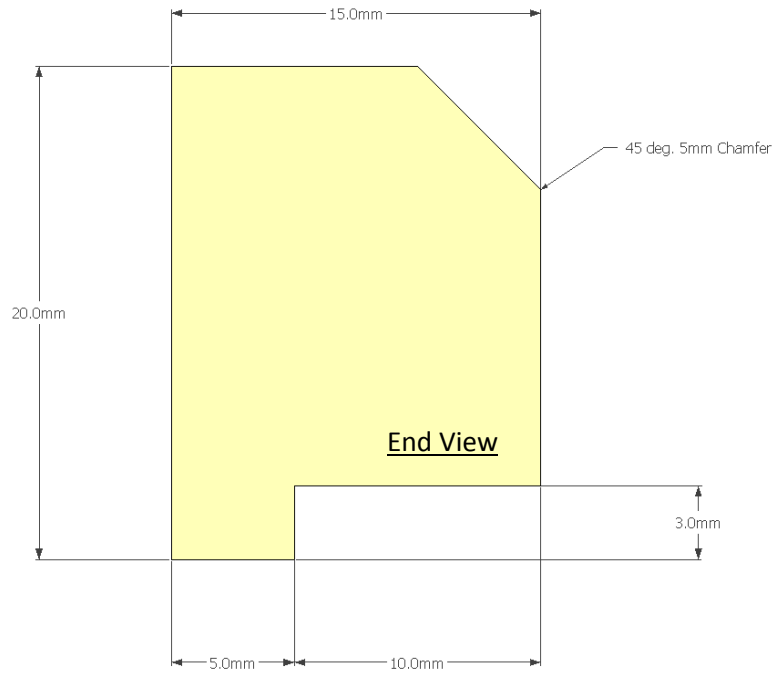
Please feel free to share these plans with your friends!

ThisWoodwork.com

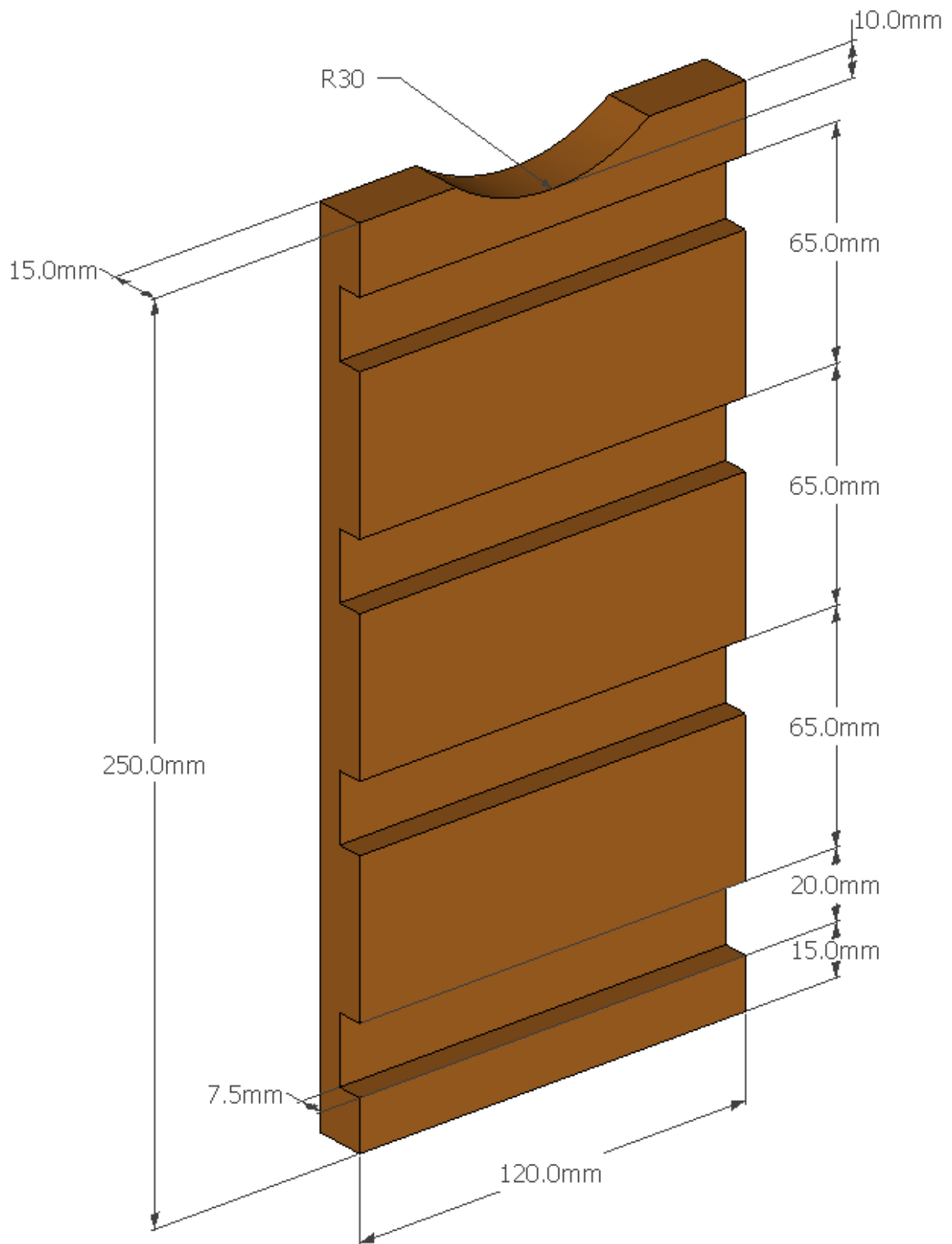
Shelves (x4)



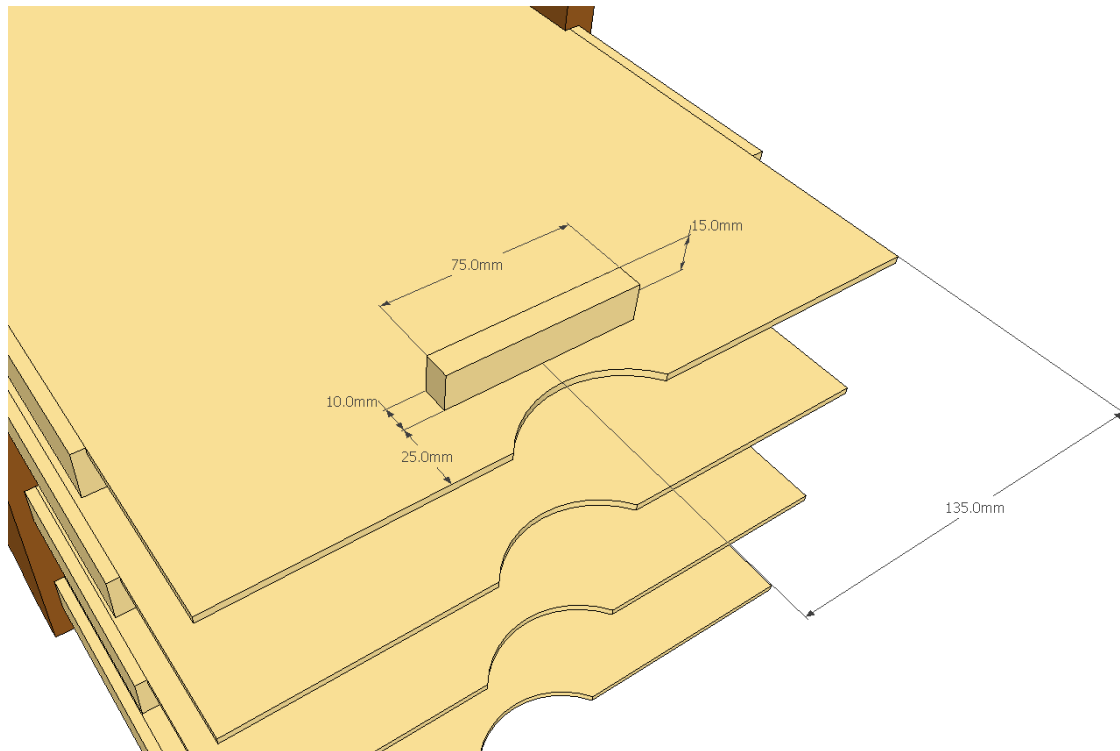
Shelf "Reinforcements" (x8)



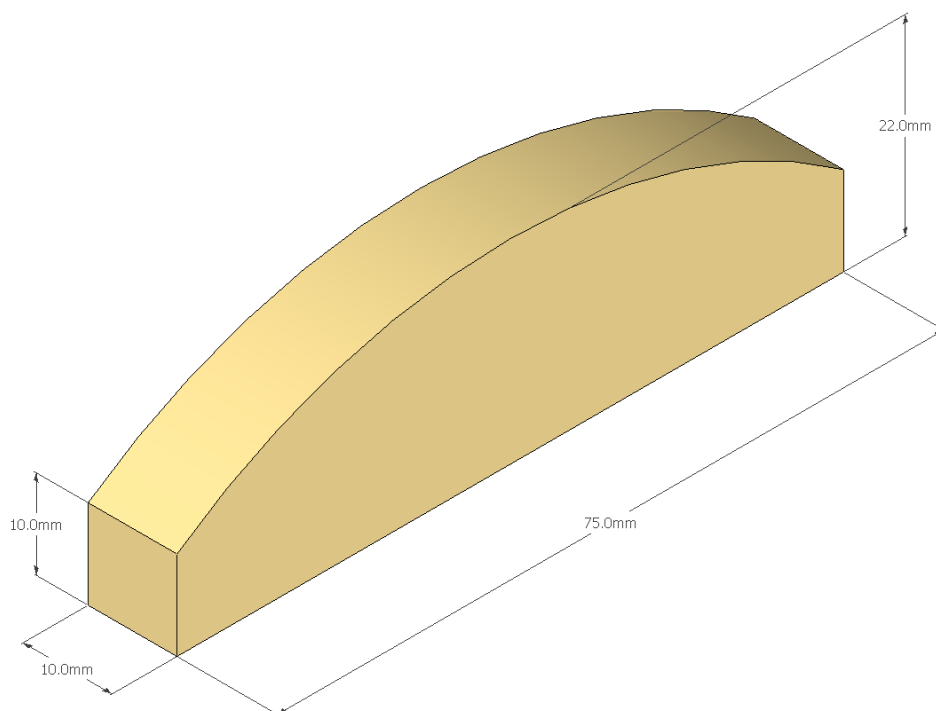
Sides (x2)



Front "Foot"



Back Stops (x4)



Whilst every effort was made to include all details required to build this item, some may have been missed. If you believe that further detail is required, let me know: alex@thiswoodwork.com

Or find it yourself in the 3D Sketchup model: <http://thiswoodwork.com/homemade-paper-tray-free-plans>

Disclaimer (Yes, just in case!)

These are free plans. No warranties are given or implied and your results may differ.

ThisWoodwork.com and Alex Harris **does not accept liability for any loss or personal injury** which may incur from the replication of this design.

For full terms and conditions visit this link: <http://thiswoodwork.com/disclaimer/>

By using these plans, the user agrees that the use of this information is entirely at his/her own risk.